

Model 860SJ

TELESCOPIC BOOM LIFTS



MORE ECONOMIC

- Lower hydrocarbon, carbon monoxide, particulate and NOx emissions with Stage IIIB-compliant engine.

MORE PRODUCTIVE

- Equipped with hydrostatic drive for easy, precise, infinitely-variable-speed manoeuvrability.

MORE ACCESS

- Work easily in tight spaces with class-leading 22.86 m working outreach.

SMART DESIGN

- Fewer buttons and switches used to position the platform and less time spent learning to use the platform controls.

Standard Features

- 0.91 m x 2.44 m low mount platform
- Side entry with drop bar mid rail
- Multiple function operation
- Full proportional drive joystick control with integral thumb steer switch
- Full proportional main boom and swing joystick control
- Multiple speed control for telescope and platform rotate
- Selectable creep speed on drive / lift and swing functions
- 1.83 m articulating jib
- 180 degree powered platform rotator
- Platform console machine status light panel ¹
- Load sensing system
- AC cable to platform
- Engine distress warning/shut down system ²
- Gull-wing hoods
- 4 degree tilt alarm and indicator light
- Load sensing hydraulics
- Lifting/tie down lugs
- Hour meter
- Ground control selector switch with key lock
- Platform tool tray
- 12V DC auxiliary power
- Four wheel drive
- Oscillating front axle
- Horn
- Hydrostatic drive transmission
- Swing-out engine tray
- Control ADE[®] Advanced Design Electronics System
- JLG Skyguard active system

¹ Provides indicator lights at platform control console for system distress, low fuel, tilt light, and foot switch status.

² Low oil pressure and high coolant temperature alarms with shut-down enabled/disabled by analyser.

Standard Specifications

Power Source	
• Diesel Engine - Deutz TD 2.9 L4	50kW
• Fuel Tank Capacity	117 L
Hydraulic System	
• Hydraulic System	235 L
• Auxiliary Power	12V DC
Tyres	
• Tyres	18 - 625 Foam Filled

³ Available when integrated with the SkyPower[®] package.

⁴ Consists of six 40-watt lights, four turntable mounted lights and two platform mounted lights.

⁵ Available only with two wheel drive on models 800S and 860SJ.

⁶ Includes all-motion alarm and flashing amber beacon.

⁷ Includes platform mounted work lights and head & tail lights.

⁸ Includes console cover, boom wipers and cylinder bellows.



Accessories & Options

- 0.91 m x 1.83 m slide bar side entry platform
- 0.91 m x 1.83 m Self closing inward swing gate
- 13 mm air line to platform
- Steel engine and valve compartment hoods
- On-board 4,000 W generator
- SkyPower[®] package 7,500 watt on-board generator
- SkyWelder[®] package 250 amp welder in the platform ³
- Nite-Bright[®] package ⁴
- All motion alarm
- Alarm package ⁶
- Light package ⁷
- Head and tail lights
- Flashing amber beacon
- Euro Plug & Socket
- Hostile environment kit ⁸
- Hydraulic oil cooler
- Soft Touch 0.91 m x 1.83 m Platform Proximity System
- Skyguard beacon (ILOS)
- Pipe racks
- Platform worklights
- Arctic package
- Generator hourmeter
- Synthetic Biodegradable Hydraulic Oil
- Special paint colour
- Two Wheel Drive
- 18-625 Foam Filled Non Marking Tyres

Model 860SJ

TELESCOPIC BOOM LIFTS

Performance

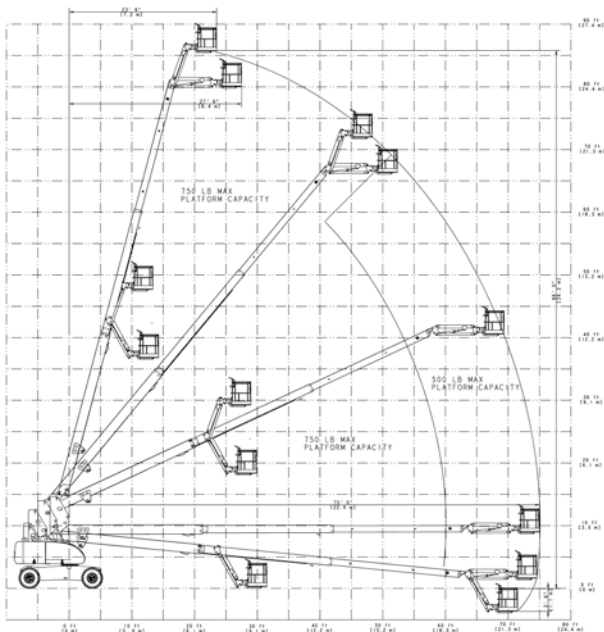
- Working Height 28.21 m
- Working Outreach 23.51 m
- Swing (Continuous) 360°
- Platform Capacity – Unrestricted 230 kg
- Platform Rotator (Hydraulic) 180°
- Jib – Overall Length 1.83 m
- Jib – Range of articulation 130° (+70°-60°)
 - A. Platform Size 0.91 m x 2.44 m
 - B. Overall Width 2.49 m
 - C. Tailswing (working condition) 1.42 m
 - D. Stowed Height 3.05 m
 - E. Stowed Length 12.19 m
 - F. Wheelbase 3.05 m
 - G. Ground Clearance 0.30 m
- Machine weight ^{1/2} 17,200 kg
- Maximum Ground Bearing Pressure ² 6.5 kg/cm²
- Drive Speed 4WD 5.6 km/h
- Gradeability 4WD 45%
- Axle Oscillation 0.20 m
- Turning Radius – Inside 3.81 m
- Turning Radius – Outside 6.02 m

¹ Certain options or country standards may increase weight and/or dimensions.

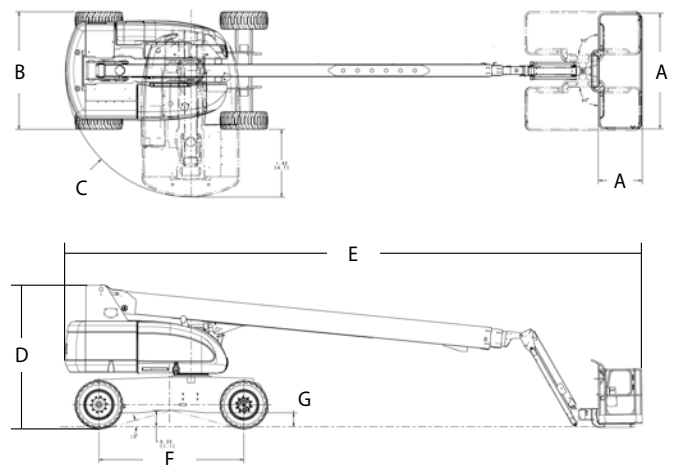
² With Standard tires



Reach Diagram



Dimensions



IMPORTANT

JLG is continually researching and developing products and reserves the right to make modifications without prior notice. All data in this document is indicative. Certain options or country standards will increase weight. Specifications may change to meet country standards or with the addition of optional equipment.

Due to continuous product improvements, JLG Industries reserves the right to make specification and/or equipment changes without prior notification.



JLG EMEA BV

Polaris Avenue 63
2132 JH Hoofddorp
The Netherlands
Phone: +31 (0)23 565 5665
www.jlg.com

An Oshkosh Corporation Company