

Model 1250AJP

ARTICULATING BOOM LIFTS



MORE ECONOMIC

- Lower hydrocarbon, carbon monoxide, particulate and NOx emissions with Stage IIIB-compliant engine.

MORE PRODUCTIVE

- Equipped with hydrostatic drive for easy, precise, infinitely-variable-speed manoeuvrability. Go from ground to over 40m in under 115 seconds and enjoy industry best reach envelope with exclusive QuikStik® boom.

MORE ACCESS

- Conquer rough terrain with standard oscillating axle and four-wheel drive, delivering optimised grip and stability.

SMART DESIGN

- Customer-preferred controls mean fewer buttons and switches used to position the platform and less time spent learning to use the platform controls.

Standard Features

- 0.91 m x 2.44 m low mount platform
- Side entry with drop bar mid rail
- Multiple function operation
- Full proportional drive joystick control with integral thumb steer switch
- Full proportional main boom and swing joystick control
- Variable speed dial control for telescope, platform rotate and tower
- 2.44 m articulating jib
- JibPLUS® with 4 way axis jib including 125 degree horizontal motion
- Powered side stow on jib
- 180 degree powered platform rotator
- Platform console machine status light panel ¹
- Load sensing system
- AC power cable to platform
- Gull-wing turntable hoods
- Selectable dual platform capacity system (230kg/450kg)
- QuikStik® boom design feature
- Drive-out extending axles
- 5 degree tilt alarm and indicator light
- Oscillating front axle
- Lifting/tie down lugs
- Hour Meter
- Ground control selector switch with key lock
- Load Sensing Hydraulics
- Platform tool tray
- 12V-DC auxiliary power
- Engine distress warning/shut down system ²
- Multiple speed control for telescope, lower boom and platform rotate
- Low fuel engine cut-out
- Cast Aluminum Control Box
- Horn
- Hydrostatic drive transmission
- Swing-out engine tray
- Interactive Display at Ground Controls
- Control ADE® Advanced Design Electronics System
- JLG Skyguard active system

¹ Provides indicator lights at platform control console for system distress, low fuel, 5 degree tilt light, and foot switch status.

² Low oil pressure and high coolant temperature alarms with shut-down enabled/disabled by analyser.

Standard Specifications

Power Source

- | | |
|------------------------------------|---------|
| • Diesel Engine - Deutz TCD 2.9 L4 | 55.4 kW |
| • Fuel Tank Capacity | 117 L |

Hydraulic System

- | | |
|--------------------|--------|
| • Hydraulic System | 390 L |
| • Auxiliary Power | 12V DC |

Tyres

- | | |
|---------|------------------------|
| • Tyres | 445/50D710 Foam Filled |
|---------|------------------------|

³ Available when integrated with the SkyPower® package.

⁵ Includes all-motion alarm and flashing amber beacon.

⁴ Consists of six 40-watt lights, four turntable mounted lights and two platform mounted lights.

⁶ Includes platform mounted work lights and head & tail lights.

⁷ Includes console cover, boom wipers and cylinder bellows.

Accessories & Options

- 0.91 m x 1.83 m slide bar side entry platform
- 0.91 m x 1.83 m Self closing inward swing gate
- 13 mm airline to platform
- On-board 4,000W generator
- SkyPower® package 7,500 watt on-board generator
- SkyWelder® package 250 amp welder in the platform ³
- SkyGlazier® package glass and panel tray
- Nite-Bright® package ⁴
- Alarm Package ⁵
- Light package ⁶
- Flashing amber beacon
- Euro Plug & Socket
- Hostile environment kit ⁷
- Hydraulic oil cooler
- Soft Touch 0.91 m x 1.83 m Platform Proximity System
- Soft Touch 0.91 m x 2.44 m Platform Proximity System
- Skyguard beacon (ILOS)
- Arctic package
- Generator hourmeter
- Synthetic Biodegradable Hydraulic Oil
- Platform worklights
- Head & Tail Lights
- Special paint colour

Model 1250AJP

ARTICULATING BOOM LIFTS

Performance

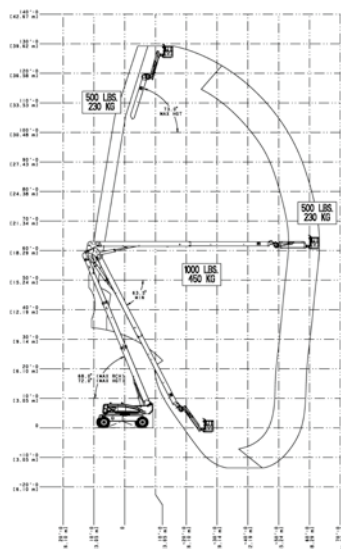
| | |
|--|---------------------------|
| • Working Height | 40.30 m |
| • Platform Height | 38.30 m |
| • Working Outreach | 19.90 m |
| • Horizontal Outreach | 19.25 m |
| • Up and Over Height | 18.44 m |
| • Swing (Continuous) | 360° |
| • Platform Capacity – Restricted | 450 kg |
| • Platform Capacity – Unrestricted | 230 kg |
| • Platform Rotator (Hydraulic) | 180° |
| • Jib – Overall Length | 2.44 m |
| • Jib – Range of articulation | 130° Vertical (+75°/-55°) |
| • JibPLUS [®] – Range of Articulation | 125° Horizontal |
| A. Platform Size | 0.91 m x 2.44 m |
| B. Overall Width (Axles Retracted) | 2.49 m |
| Overall Width (Axles Extended) | 3.81 m |
| C. Tailswing (working condition) | 0.91 m |
| D. Stowed Height | 3.05 m |
| E. Stowed Length (transport position) | 11.46 m |
| F. Wheelbase | 3.81 m |
| G. Ground Clearance | 0.30 m |
| • Machine weight ^{1/2} | 21,000 kg |
| • Maximum Ground Bearing Pressure | 7.03 kg/cm ² |
| • Drive Speed | 5.2 km/h |
| • Gradeability | 45% |

¹ Certain options or country standards may increase weight and/or dimensions.

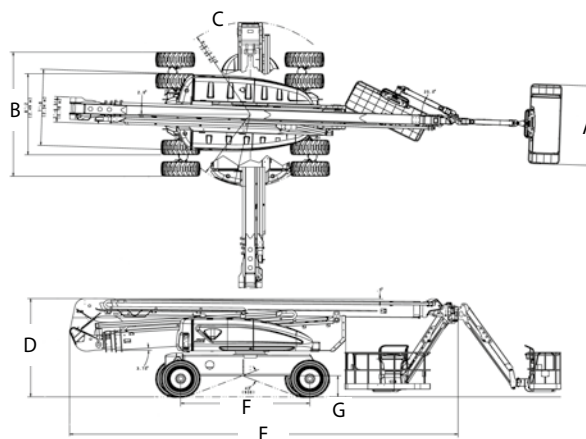
² With Standard tires



Reach Diagram



Dimensions



IMPORTANT

JLG is continually researching and developing products and reserves the right to make modifications without prior notice. All data in this document is indicative. Certain options or country standards will increase weight. Specifications may change to meet country standards or with the addition of optional equipment.

Due to continuous product improvements, JLG Industries reserves the right to make specification and/or equipment changes without prior notification.

JLG EMEA BV

Polaris Avenue 63
2132 JH Hoofddorp
The Netherlands
Phone: +31 (0)23 565 5665
www.jlg.com

An Oshkosh Corporation Company